

system 8000 door module installation guide

Please read the appropriate technical drawings in conjunction with this guide, a full set is available from the download area of our website.

Doors incorporated into System 8000 can be framed or frameless glass doors or framed timber doors. Sliding doors from the Eclipse glass door range can also be incorporated.

Door frames are usually incorporated into the construction as work proceeds, but doors are hung at a later stage to avoid damage.

All door frames are manufactured to be trimmed in height by at least 40mm, in order that a difference in floor level or installation before the floor covering can be accommodated.

FRAMELESS GLASS DOOR MODULES

1. Where the installation includes full height frameless glass door leaves, the position of the door module is established from the partition layout and the floor track is omitted for the width of the door module. Prior to fixing the head track, pivot blocks should be fitted. FG8003 pivot block is used for two part head track and FG8004 for one part tracks. Once the head track is installed the pivot block should be positioned in the approximate position of the door.
2. The final position of the pivot block will be determined and fixed by the glaziers.
3. Pre sized FG8114S 1000mm and FG8114D 1800mm glazing channel infills are used to close the glazing track above the door. The length should match the door opening.
4. FG8009 end caps for FG8109/8001 two part track and FG8010 end caps for FG8111 track are used to close the end of the floor track.
5. The infill and end caps should be provided to the glaziers for installation.

INSTALLATION OF THE DOOR FRAME

1. The position of the door module is established from the partition layout and the floor track is omitted for the width of the door module. The correct door frame width can be found on drawings PB/0006/L11, PB/0006/L12, PB/0006/L13 or in the information sheet provided with the door frame pack.

Depending on the detail required the head track can also be omitted, please follow the relevant step below.

2. Unpack the door frame and trim stiles as necessary.
3. Assemble the frame by installing the four steel mitre cleats 35768 into the frame and slide the flipper seal 32037 into the door seal slot in the head and stiles and trim as necessary. The seal should point into the opening at the head and latch stiles and towards the frame at the hinge stile. Then using the 4.2x38mm pan head screws 116115 provided screw through the clearance holes in the door frame head into the screw ports in the door frame stiles, a total of 4 screws should be fitted.

For reduced head door frames mitre cleats are not required. 4.2x38mm pan head screws 116115 are used to fix the head to the stiles.

4. Floor fixing plates should be fitted to the bottom of the frame stiles using 4.2x25mm countersunk screws 35793, 2 screws per bracket. Brackets 116111 & 116113 are used on single & 58mm double glazed frames. Bracket 116114 is used on 105mm double glazed frames.
5. The assembled frame should now be offered into position, the door frame head should be secured in accordance with the appropriate step below:

(a) Full height door frames interrupting head track

Bracket 141999 is positioned within the glazing reveal of the door frame and head track and screwed to the door frame using the 4.2x13mm countersunk self-drilling screws provided. Fixings for screwing through the head track are not provided and should be appropriate to the substrate. One bracket is required each side of the frame.

(b) Full height door frames abutting head track

Prior to positioning the doorframe FG8007 door frame packers should be installed within the head track. The packer should be cut to length by deducting 36mm from the overall door frame width. Bracket 141999 is positioned within the glazing reveal of the door frame and head track, with the longer leg facing down, and screwed to the door frame using the 4.2x13mm counter sunk self drilling screws provided. Fixings for screwing through the head track are not provided and should be appropriate to the substrate. One bracket is required each side of the frame.

(c) Full height door frames allowing +/- 15mm deflection

Prior to positioning the doorframe FG8008 extended door frame packers should be installed within the head track. The packer should be cut to length by deducting 36mm from the overall door frame width, with the ends touched up to match. The packer should be bonded to the door frame head using a bead of silicone within the glazing pocket. The glaziers should fit appropriate H section between the packer and abutting glass.

(d) Door frames with glass all around (Halo)

The door frame should be installed and suitably braced in position to allow the glass surveyor to carry out an accurate measure. It is then recommended that the frame is dismantled and stored safely. Coordinating closely with the glazier the frame should then be reinstalled in sequence with the glaziers works. A minimal bead of silicone will then be applied to the glazing reveal by the glaziers. No further work should be carried out to the door frame until the silicone has cured; minimum 12 hours cure time required.

6. Where required, the lock keep is fitted into the machined recess in the frame stile and fixed in place with two 117316 M4 x 12mm stainless steel machine screws.
7. For timber doors the hinges are located in the machined recess in the frame stile and secured in place with the 12033 M4 x 10mm machine screws provided in the door frame pack (one machine screw per hinge). When the door is hung the remaining two machine screws should be fitted.

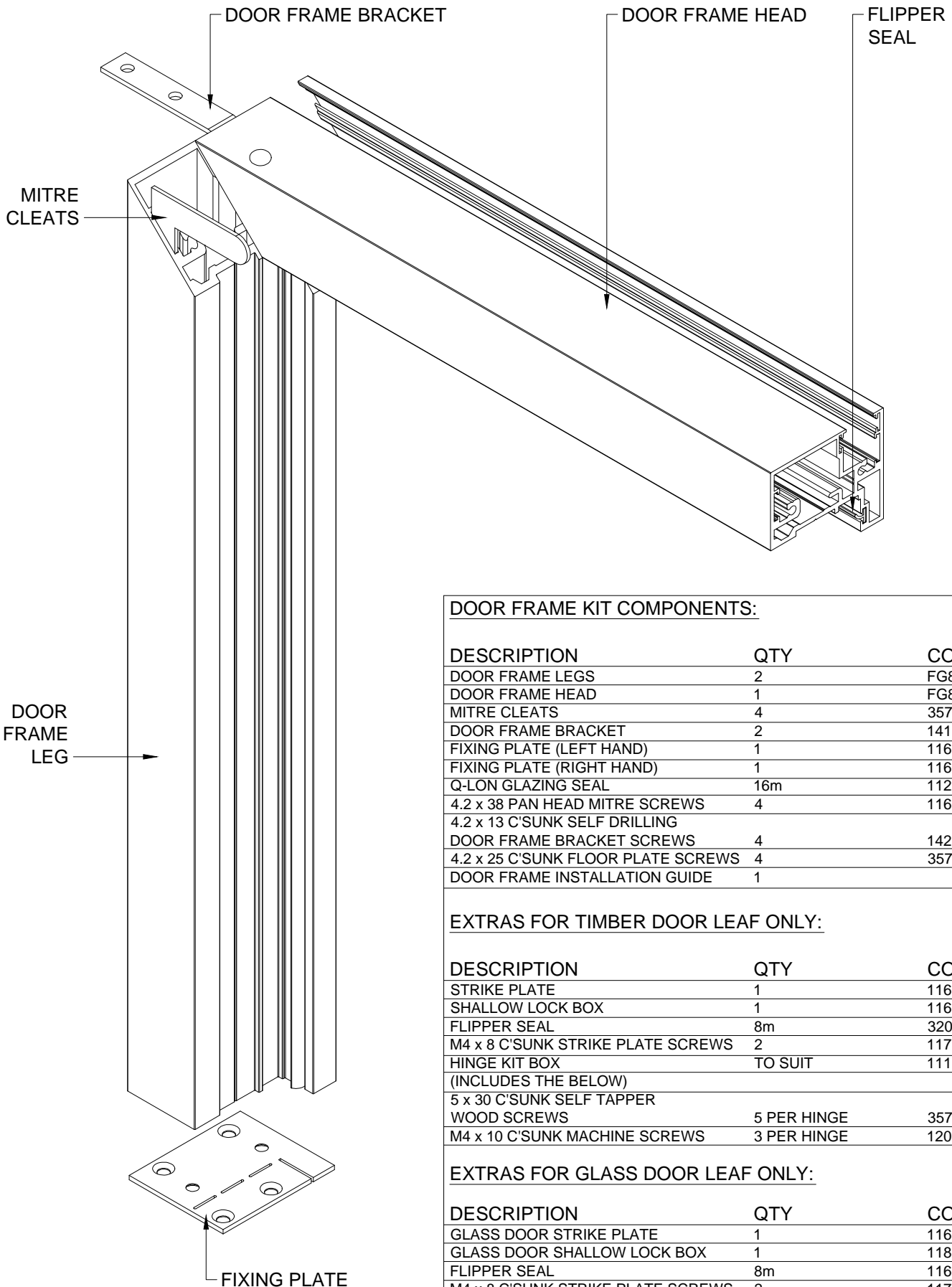
INSTALLATION OF TIMBER DOORS

After the doorframe is installed, and the remainder of the construction is completed, the doors are hung into the doorframe.

1. Position the door within the frame, ensuring an equal gap of 3mm between door edges and frame and sufficient clearance above the floor covering at the bottom of the door for it to open normally, trimming the door as necessary in height or width to achieve this.
2. Accurately mark the positions of the hinges on the door edge using a sharp knife, and withdraw the door from the frame.
3. Remove the hinges from the doorframe by releasing the machine screws. Place the hinges on the door edge in the positions marked in step 2 (above), and mark around the hinges for the outline for the hinge cut-outs.
4. Carefully cut out the hinge recesses in the door edge.
5. Fit the hinges into the recesses, pre-drill for the 3.5mm pilot holes for the hinge fixing screws, and secure the hinges to the door with the 30 x 5mm woodscrews provided (5 per hinge).
6. Offer the door up at right angles to the frame, raising it with wedges to engage the top hinge into the machined slot in the frame. Secure the top hinge with the machine screw.
7. Fit the bottom hinge into its machined recess in the frame by lifting the door away from the frame sufficiently to permit it to engage (removing the wedges used to raise the door at the same time). Secure the bottom hinge with the machine screw.

If more than 2 hinges are supplied with the frame, carry out the installation as above, but only fit the top and bottom hinge to the door. The remaining hinge(s) should be fitted to the frame and fixed to the door when it is in position in the frame with the top and bottom hinges secured.

8. Ensure that the door closes into the frame, and that a 3mm gap remains between the door edges and the frame. Now with the door open, fit the remaining machine screws to the remaining holes in the door frame.
9. Fit the remaining ironmongery and door furniture to the door, open and close the door to check normal operation, adjusting as necessary.



DOOR FRAME KIT COMPONENTS:		
DESCRIPTION	QTY	CODE
DOOR FRAME LEGS	2	FG8116
DOOR FRAME HEAD	1	FG8116
MITRE CLEATS	4	35768
DOOR FRAME BRACKET	2	141999
FIXING PLATE (LEFT HAND)	1	116111
FIXING PLATE (RIGHT HAND)	1	116113
Q-LON GLAZING SEAL	16m	112217
4.2 x 38 PAN HEAD MITRE SCREWS	4	116115
4.2 x 13 C'SUNK SELF DRILLING		
DOOR FRAME BRACKET SCREWS	4	142830
4.2 x 25 C'SUNK FLOOR PLATE SCREWS	4	35793
DOOR FRAME INSTALLATION GUIDE	1	
EXTRAS FOR TIMBER DOOR LEAF ONLY:		
DESCRIPTION	QTY	CODE
STRIKE PLATE	1	116120
SHALLOW LOCK BOX	1	116121
FLIPPER SEAL	8m	32037
M4 x 8 C'SUNK STRIKE PLATE SCREWS	2	117316
HINGE KIT BOX	TO SUIT	11175
(INCLUDES THE BELOW)		
5 x 30 C'SUNK SELF TAPPER WOOD SCREWS	5 PER HINGE	35779
M4 x 10 C'SUNK MACHINE SCREWS	3 PER HINGE	12033
EXTRAS FOR GLASS DOOR LEAF ONLY:		
DESCRIPTION	QTY	CODE
GLASS DOOR STRIKE PLATE	1	116924
GLASS DOOR SHALLOW LOCK BOX	1	118868
FLIPPER SEAL	8m	116117
M4 x 8 C'SUNK STRIKE PLATE SCREWS	2	117316
PLYWOOD INFILL	1 OR 2	116119



SAS International
 31 Suttons Business Park,
 London Road, Reading,
 Berkshire, RG6 1AZ
 Tel: 0118 929 0900
 Fax: 0118 929 0906
 Technical Helpline:
 0118 929 0998
 www.sasint.co.uk

SYSTEM 8000

FG8116 SINGLE GLAZED DOOR FRAME
 KIT COMPONENTS

SCALE @ A4

1:2

DRG NO

PD/0373/L1

ISSUED
 INFORMATION

DATE

29/03/2012

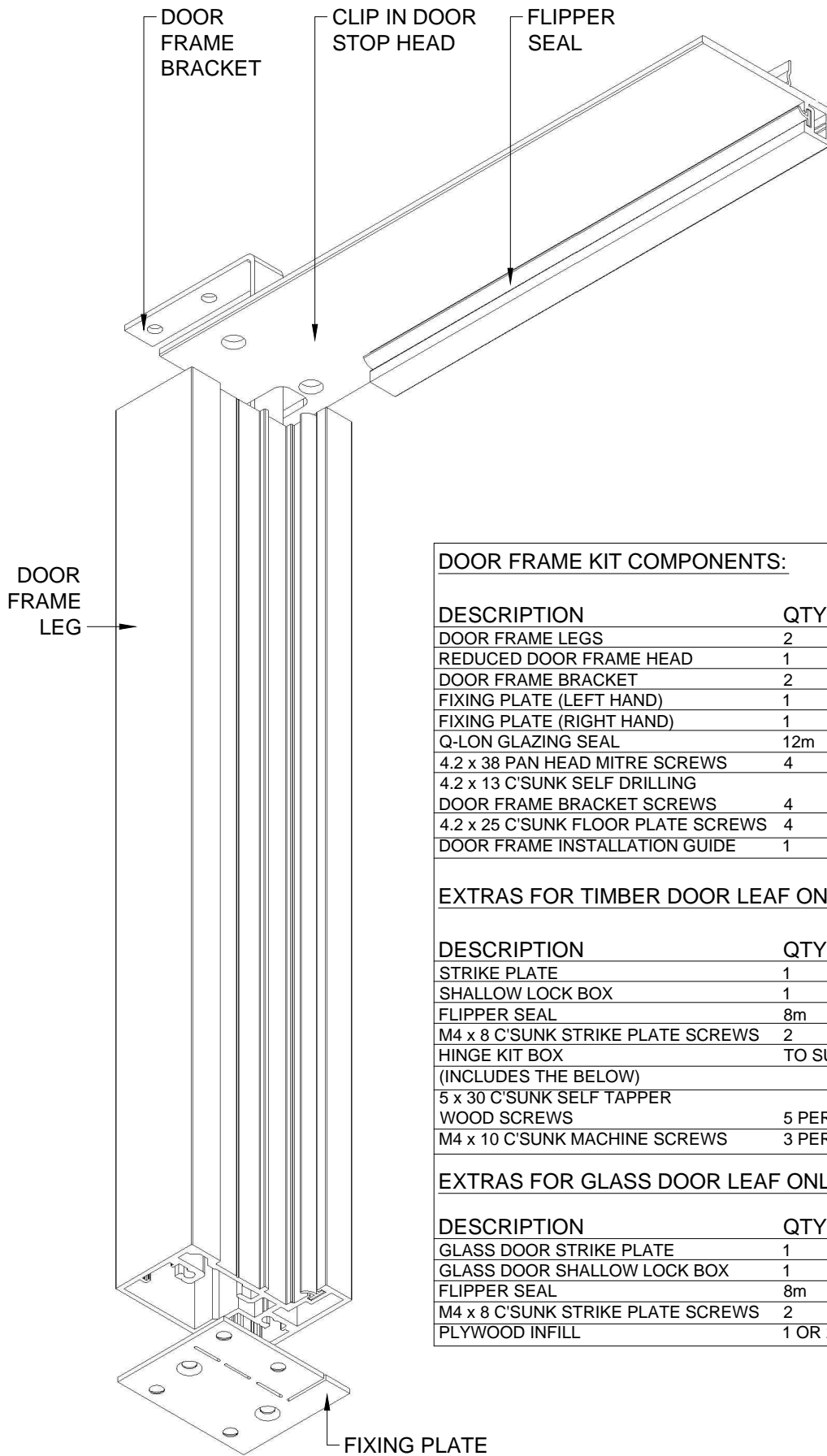
DRAWN BY

TC

REV

04

CHECKED
 KYE



DOOR FRAME KIT COMPONENTS:

DESCRIPTION	QTY	CODE
DOOR FRAME LEGS	2	FG8116
REDUCED DOOR FRAME HEAD	1	FG8002
DOOR FRAME BRACKET	2	141999
FIXING PLATE (LEFT HAND)	1	116111
FIXING PLATE (RIGHT HAND)	1	116113
Q-LON GLAZING SEAL	12m	112217
4.2 x 38 PAN HEAD MITRE SCREWS	4	116115
4.2 x 13 C'SUNK SELF DRILLING		
DOOR FRAME BRACKET SCREWS	4	142830
4.2 x 25 C'SUNK FLOOR PLATE SCREWS	4	35793
DOOR FRAME INSTALLATION GUIDE	1	

EXTRAS FOR TIMBER DOOR LEAF ONLY:

DESCRIPTION	QTY	CODE
STRIKE PLATE	1	116120
SHALLOW LOCK BOX	1	116121
FLIPPER SEAL	8m	32037
M4 x 8 C'SUNK STRIKE PLATE SCREWS	2	117316
HINGE KIT BOX	TO SUIT	11175
(INCLUDES THE BELOW)		
5 x 30 C'SUNK SELF TAPPER		
WOOD SCREWS	5 PER HINGE	35779
M4 x 10 C'SUNK MACHINE SCREWS	3 PER HINGE	12033

EXTRAS FOR GLASS DOOR LEAF ONLY:

DESCRIPTION	QTY	CODE
GLASS DOOR STRIKE PLATE	1	116924
GLASS DOOR SHALLOW LOCK BOX	1	118868
FLIPPER SEAL	8m	116117
M4 x 8 C'SUNK STRIKE PLATE SCREWS	2	117316
PLYWOOD INFILL	1 OR 2	116119



SAS International
 31 Suttons Business Park,
 London Road, Reading,
 Berkshire, RG6 1AZ
 Tel: 0118 929 0900
 Fax: 0118 929 0908
 Technical Helpline:
 0118 929 0998
 www.sasint.co.uk

SYSTEM 8000

FG8116R SINGLE GLAZED DOOR FRAME
 KIT COMPONENTS

SCALE @ A4

1:2

DRG NO

PD/0426/L1

ISSUED
 INFORMATION

DATE

29/03/2012

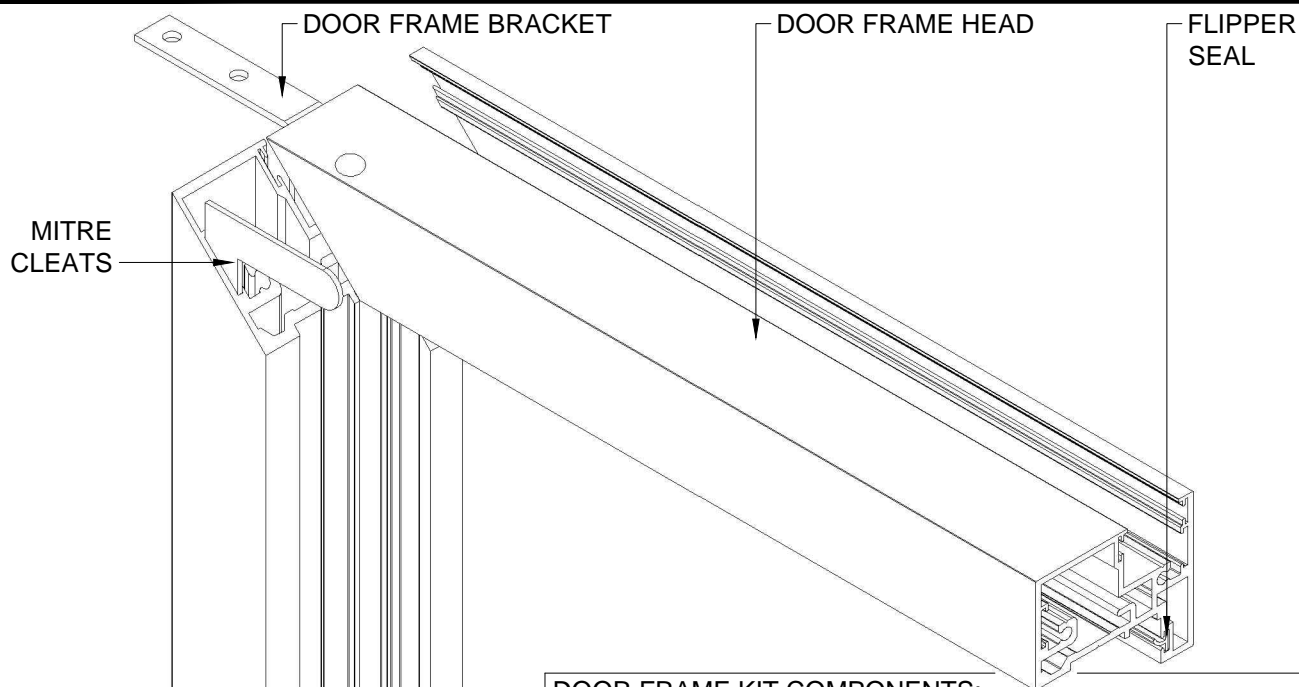
DRAWN BY

TC

REV

04

CHECKED
 KYE



DOOR
FRAME
LEG

FIXING PLATE

DOOR FRAME KIT COMPONENTS:

DESCRIPTION	QTY	CODE
DOOR FRAME LEGS	2	FG8117
DOOR FRAME HEAD	1	FG8117
MITRE CLEATS	4	35768
DOOR FRAME BRACKET	2	141999
FIXING PLATE (LEFT HAND)	1	116111
FIXING PLATE (RIGHT HAND)	1	116113
Q-LON GLAZING SEAL	16m	112217
4.2 x 38 PAN HEAD MITRE SCREWS	4	116115
4.2 x 13 C'SUNK SELF DRILLING		
DOOR FRAME BRACKET SCREWS	4	142830
4.2 x 25 C'SUNK FLOOR PLATE SCREWS	4	35793
DOOR FRAME INSTALLATION GUIDE	1	

EXTRAS FOR TIMBER DOOR LEAF ONLY:

DESCRIPTION	QTY	CODE
STRIKE PLATE	1	116120
SHALLOW LOCK BOX	1	116121
FLIPPER SEAL	8m	32037
M4 x 8 C'SUNK STRIKE PLATE SCREWS	2	117316
HINGE KIT BOX	TO SUIT	11175
(INCLUDES THE BELOW)		
5 x 30 C'SUNK SELF TAPPER		
WOOD SCREWS	5 PER HINGE	35779
M4 x 10 C'SUNK MACHINE SCREWS	3 PER HINGE	12033

EXTRAS FOR GLASS DOOR LEAF ONLY:

DESCRIPTION	QTY	CODE
GLASS DOOR STRIKE PLATE	1	116924
GLASS DOOR SHALLOW LOCK BOX	1	118868
FLIPPER SEAL	8m	116117
M4 x 8 C'SUNK STRIKE PLATE SCREWS	2	117316
PLYWOOD INFILL	1 OR 2	116119

**EXTRAS FOR FIRE RATED DOORS:
INTUMESCENT (REPLACES Q-LON SEAL)**

DESCRIPTION	QTY	CODE
20 x 2 MANN McGOWAN 500FPSA	8 lm	TO COLOUR
10 x 2 MANN McGOWAN 300 SA	28 lm	112295
TIMBER INFILL	3	110440



SAS International
31 Suttons Business Park,
London Road, Reading,
Berkshire, RG6 1AZ
Tel: 0118 929 0900
Fax: 0118 929 0908
Technical Helpline:
0118 929 0998
www.sasint.co.uk

SYSTEM 8000

FG8117 SINGLE GLAZED DOOR FRAME
KIT COMPONENTS

SCALE @ A4

1:2

DRG NO

PD/0376/L1

ISSUED

INFORMATION

DATE

29/03/2012

DRAWN BY

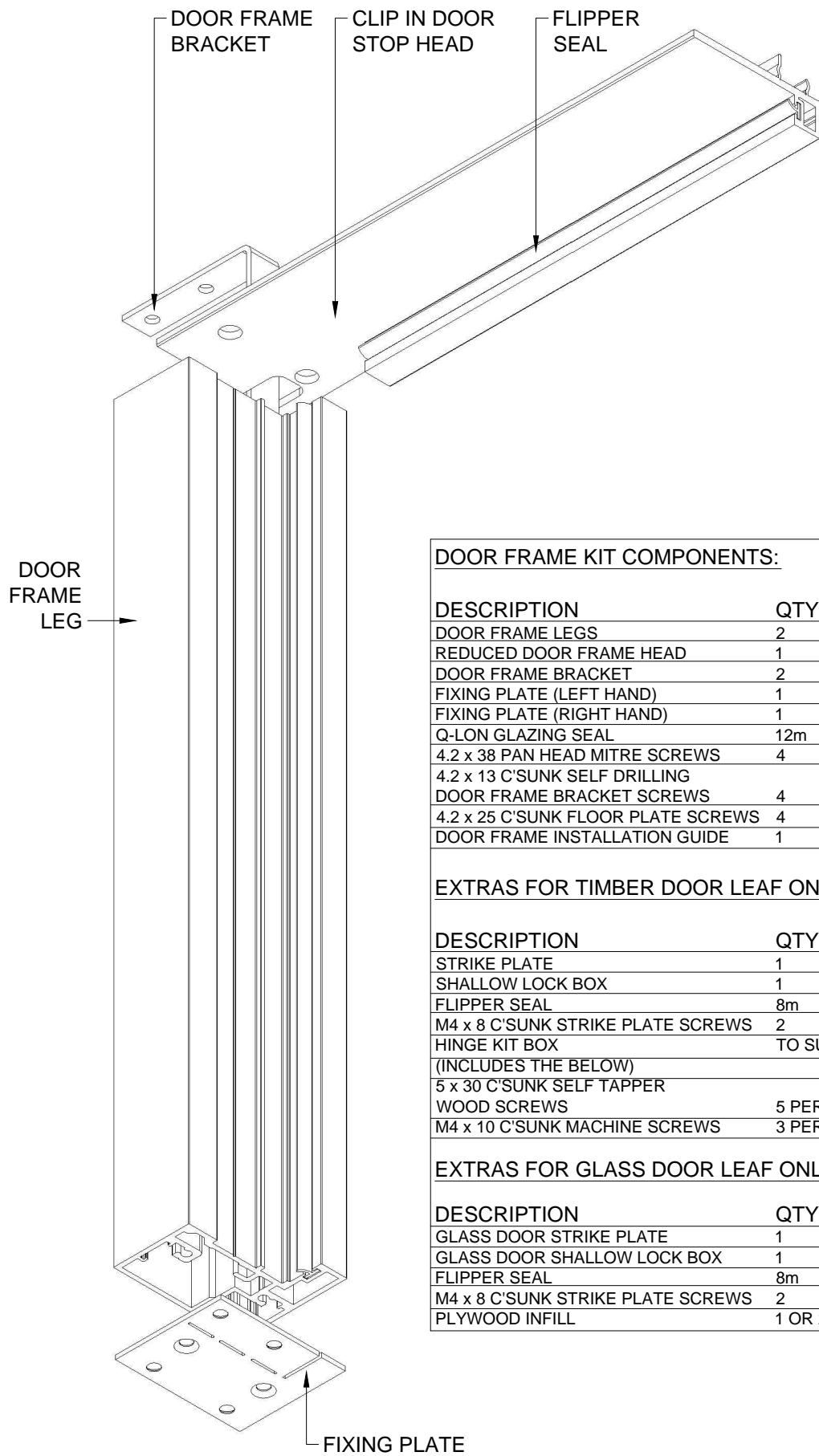
TC

REV

04

CHECKED

KYE



DOOR FRAME KIT COMPONENTS:		
DESCRIPTION	QTY	CODE
DOOR FRAME LEGS	2	FG8117
REDUCED DOOR FRAME HEAD	1	FG8002
DOOR FRAME BRACKET	2	141999
FIXING PLATE (LEFT HAND)	1	116111
FIXING PLATE (RIGHT HAND)	1	116113
Q-LON GLAZING SEAL	12m	112217
4.2 x 38 PAN HEAD MITRE SCREWS	4	116115
4.2 x 13 C'SUNK SELF DRILLING DOOR FRAME BRACKET SCREWS	4	142830
4.2 x 25 C'SUNK FLOOR PLATE SCREWS	4	35793
DOOR FRAME INSTALLATION GUIDE	1	
EXTRAS FOR TIMBER DOOR LEAF ONLY:		
DESCRIPTION	QTY	CODE
STRIKE PLATE	1	116120
SHALLOW LOCK BOX	1	116121
FLIPPER SEAL	8m	32037
M4 x 8 C'SUNK STRIKE PLATE SCREWS	2	117316
HINGE KIT BOX	TO SUIT	11175
(INCLUDES THE BELOW)		
5 x 30 C'SUNK SELF TAPPER WOOD SCREWS	5 PER HINGE	35779
M4 x 10 C'SUNK MACHINE SCREWS	3 PER HINGE	12033
EXTRAS FOR GLASS DOOR LEAF ONLY:		
DESCRIPTION	QTY	CODE
GLASS DOOR STRIKE PLATE	1	116924
GLASS DOOR SHALLOW LOCK BOX	1	118868
FLIPPER SEAL	8m	116117
M4 x 8 C'SUNK STRIKE PLATE SCREWS	2	117316
PLYWOOD INFILL	1 OR 2	116119



SAS International
 31 Suttons Business Park,
 London Road, Reading,
 Berkshire, RG6 1AZ
 Tel: 0118 929 0900
 Fax: 0118 929 0908
 Technical Helpline:
 0118 929 0998
 www.sasint.co.uk

SYSTEM 8000

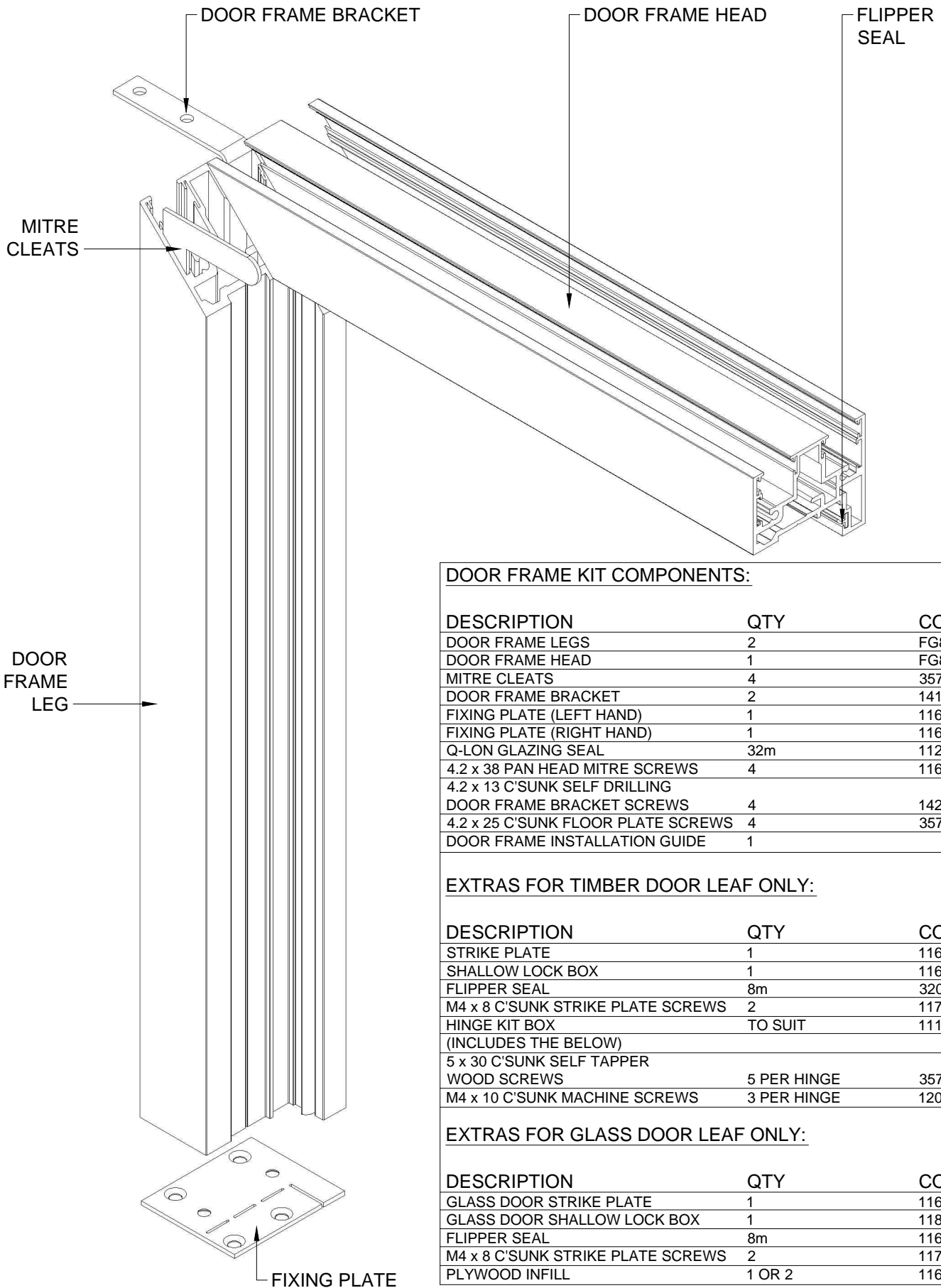
 FG8117R SINGLE GLAZED DOOR FRAME
 KIT COMPONENTS

SCALE @ A4
 1:2
 DRG NO
 PD/0427/L1
 ISSUED
 INFORMATION

DATE
 30/03/2012

DRAWN BY
 TC
 REV
 04
 CHECKED
 KYE

SAS International claims proprietary rights in the information disclosed hereon. This drawing is furnished in confidence on the express understanding that neither it nor any reproduction thereof will be disclosed to others or used for the purpose of manufacture or procurement of the article or part shown hereon without the express consent in writing of SAS International. It should be understood that any article or part either made in accordance with the attached drawing or copied from an article or part made in accordance with said drawing, without the express permission in writing of SAS International, will be an infringement of the Copyright which subsists in said drawing and therefore actionable by law.
 © 2010 SAS International



DOOR FRAME KIT COMPONENTS:

DESCRIPTION	QTY	CODE
DOOR FRAME LEGS	2	FG8205
DOOR FRAME HEAD	1	FG8205
MITRE CLEATS	4	35768
DOOR FRAME BRACKET	2	141999
FIXING PLATE (LEFT HAND)	1	116111
FIXING PLATE (RIGHT HAND)	1	116113
Q-LON GLAZING SEAL	32m	112217
4.2 x 38 PAN HEAD MITRE SCREWS	4	116115
4.2 x 13 C'SUNK SELF DRILLING		
DOOR FRAME BRACKET SCREWS	4	142830
4.2 x 25 C'SUNK FLOOR PLATE SCREWS	4	35793
DOOR FRAME INSTALLATION GUIDE	1	

EXTRAS FOR TIMBER DOOR LEAF ONLY:

DESCRIPTION	QTY	CODE
STRIKE PLATE	1	116120
SHALLOW LOCK BOX	1	116121
FLIPPER SEAL	8m	32037
M4 x 8 C'SUNK STRIKE PLATE SCREWS	2	117316
HINGE KIT BOX	TO SUIT	11175
(INCLUDES THE BELOW)		
5 x 30 C'SUNK SELF TAPPER		
WOOD SCREWS	5 PER HINGE	35779
M4 x 10 C'SUNK MACHINE SCREWS	3 PER HINGE	12033

EXTRAS FOR GLASS DOOR LEAF ONLY:

DESCRIPTION	QTY	CODE
GLASS DOOR STRIKE PLATE	1	116924
GLASS DOOR SHALLOW LOCK BOX	1	118868
FLIPPER SEAL	8m	116117
M4 x 8 C'SUNK STRIKE PLATE SCREWS	2	117316
PLYWOOD INFILL	1 OR 2	116119



SAS International
31 Suttons Business Park,
London Road, Reading,
Berkshire, RG6 1AZ
Tel: 0118 929 0900
Fax: 0118 929 0908
Technical Helpline:
0118 929 0998
www.sasint.co.uk

SYSTEM 8000

FG8205 DOUBLE GLAZED DOOR FRAME
KIT COMPONENTS

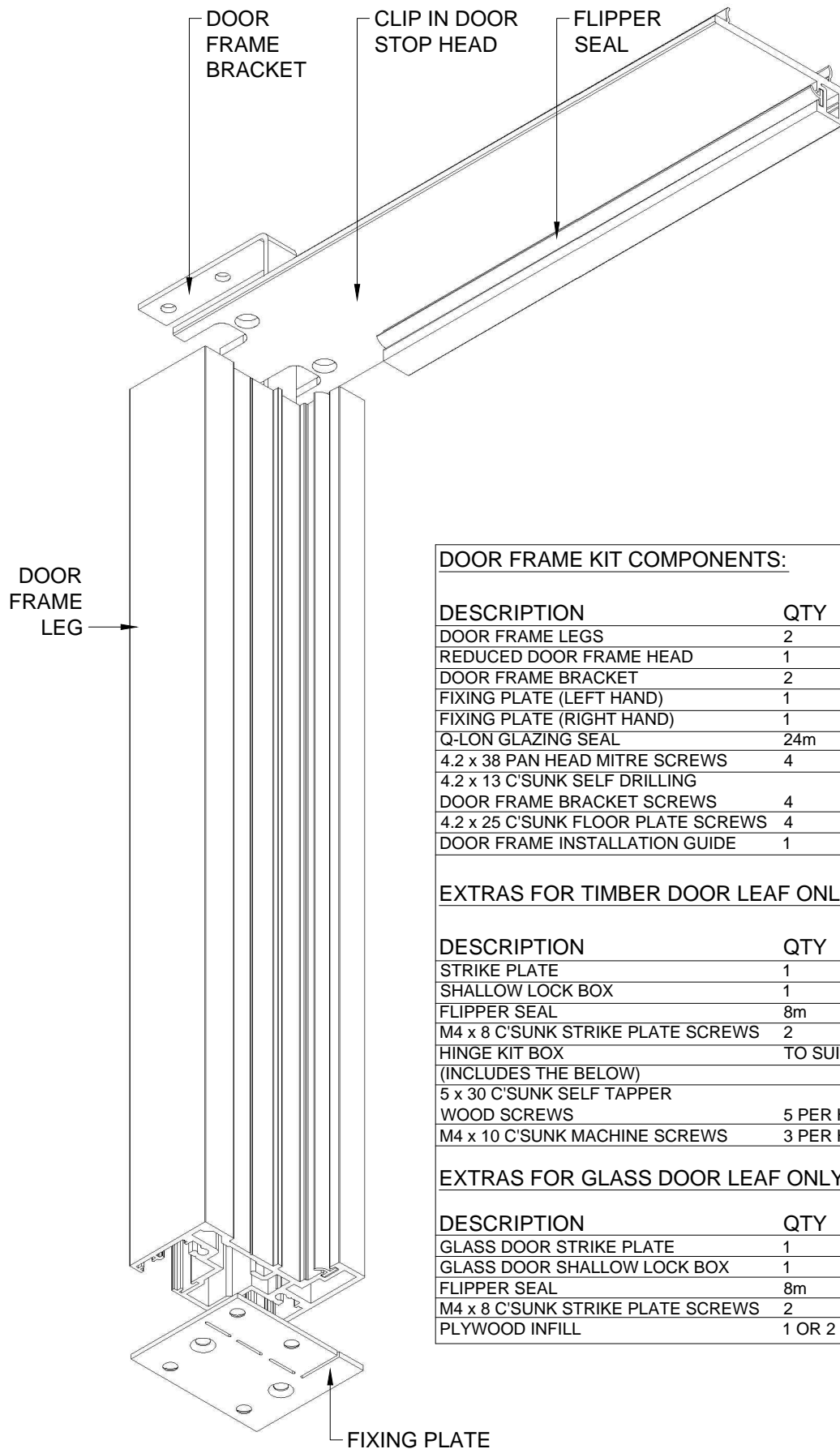
SCALE @ A4
1:2

DRG NO
PD/0377/L1

ISSUED
INFORMATION

DATE
29/03/2012

DRAWN BY
TC
REV
04
CHECKED
KYE



DOOR FRAME KIT COMPONENTS:

DESCRIPTION	QTY	CODE
DOOR FRAME LEGS	2	FG8205
REDUCED DOOR FRAME HEAD	1	FG8207
DOOR FRAME BRACKET	2	141999
FIXING PLATE (LEFT HAND)	1	116111
FIXING PLATE (RIGHT HAND)	1	116113
Q-LON GLAZING SEAL	24m	112217
4.2 x 38 PAN HEAD MITRE SCREWS	4	116115
4.2 x 13 C'SUNK SELF DRILLING		
DOOR FRAME BRACKET SCREWS	4	142830
4.2 x 25 C'SUNK FLOOR PLATE SCREWS	4	35793
DOOR FRAME INSTALLATION GUIDE	1	

EXTRAS FOR TIMBER DOOR LEAF ONLY:

DESCRIPTION	QTY	CODE
STRIKE PLATE	1	116120
SHALLOW LOCK BOX	1	116121
FLIPPER SEAL	8m	32037
M4 x 8 C'SUNK STRIKE PLATE SCREWS	2	117316
HINGE KIT BOX	TO SUIT	11175
(INCLUDES THE BELOW)		
5 x 30 C'SUNK SELF TAPPER		
WOOD SCREWS	5 PER HINGE	35779
M4 x 10 C'SUNK MACHINE SCREWS	3 PER HINGE	12033

EXTRAS FOR GLASS DOOR LEAF ONLY:

DESCRIPTION	QTY	CODE
GLASS DOOR STRIKE PLATE	1	116924
GLASS DOOR SHALLOW LOCK BOX	1	118868
FLIPPER SEAL	8m	116117
M4 x 8 C'SUNK STRIKE PLATE SCREWS	2	117316
PLYWOOD INFILL	1 OR 2	116119



SAS International
 31 Suttons Business Park,
 London Road, Reading,
 Berkshire, RG6 1AZ
 Tel: 0118 929 0900
 Fax: 0118 929 0908
 Technical Helpline:
 0118 929 0998
 www.sasint.co.uk

SYSTEM 8000

FG8205R DOUBLE GLAZED DOOR FRAME
 KIT COMPONENTS

SCALE @ A4

1:2

DRG NO

PD/0428/L1

ISSUED
 INFORMATION

DATE

30/03/2012

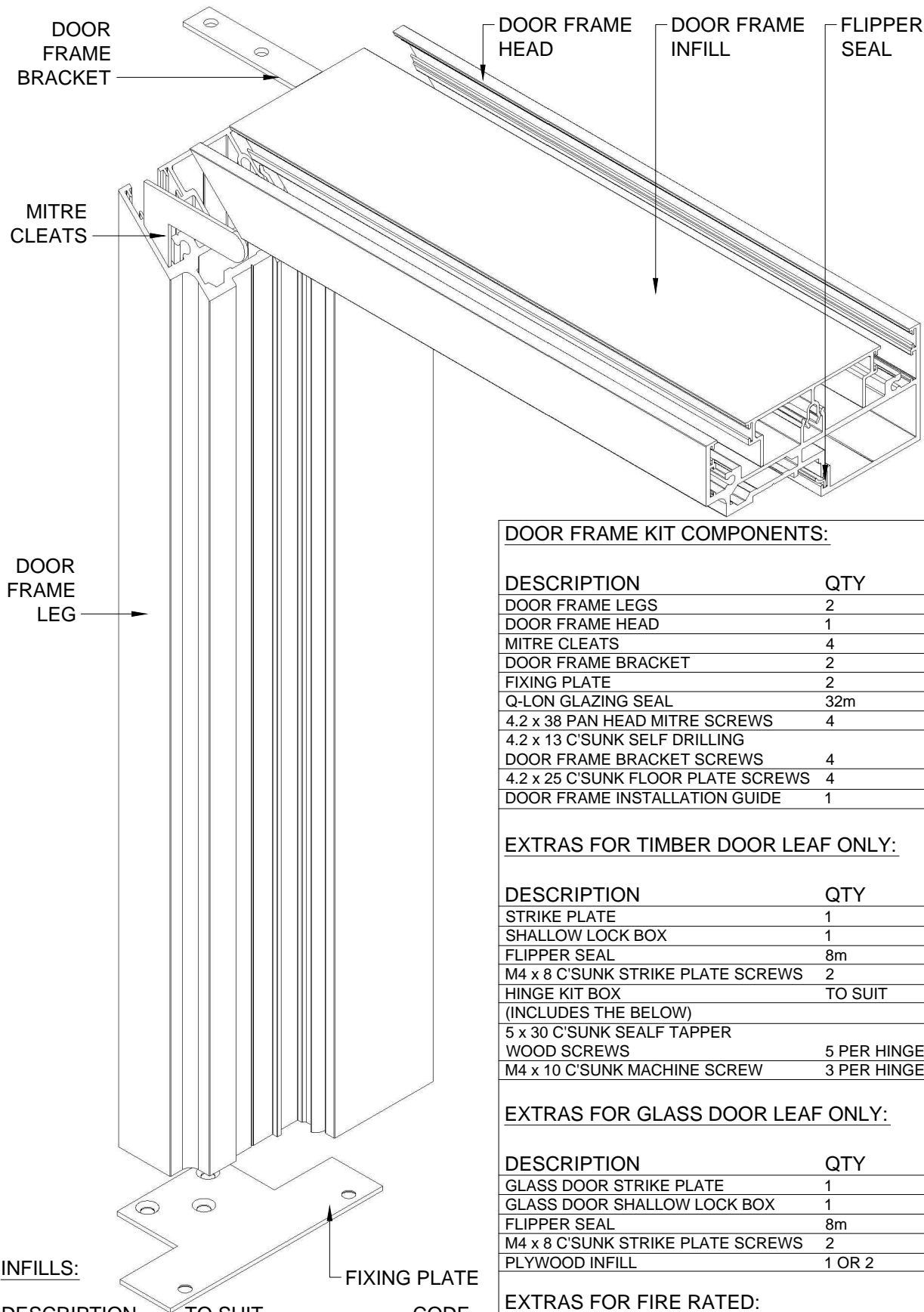
DRAWN BY

TC

REV

04

CHECKED
 KYE



DOOR FRAME KIT COMPONENTS:

DESCRIPTION	QTY	CODE
DOOR FRAME LEGS	2	FG8307
DOOR FRAME HEAD	1	FG8307
MITRE CLEATS	4	35768
DOOR FRAME BRACKET	2	141999
FIXING PLATE	2	116114
Q-LON GLAZING SEAL	32m	112217
4.2 x 38 PAN HEAD MITRE SCREWS	4	116115
4.2 x 13 C'SUNK SELF DRILLING		
DOOR FRAME BRACKET SCREWS	4	142830
4.2 x 25 C'SUNK FLOOR PLATE SCREWS	4	35793
DOOR FRAME INSTALLATION GUIDE	1	

EXTRAS FOR TIMBER DOOR LEAF ONLY:

DESCRIPTION	QTY	CODE
STRIKE PLATE	1	116120
SHALLOW LOCK BOX	1	116121
FLIPPER SEAL	8m	32037
M4 x 8 C'SUNK STRIKE PLATE SCREWS	2	117316
HINGE KIT BOX	TO SUIT	11175
(INCLUDES THE BELOW)		
5 x 30 C'SUNK SEALF TAPPER		
WOOD SCREWS	5 PER HINGE	35779
M4 x 10 C'SUNK MACHINE SCREW	3 PER HINGE	12033

EXTRAS FOR GLASS DOOR LEAF ONLY:

DESCRIPTION	QTY	CODE
GLASS DOOR STRIKE PLATE	1	116924
GLASS DOOR SHALLOW LOCK BOX	1	118868
FLIPPER SEAL	8m	116117
M4 x 8 C'SUNK STRIKE PLATE SCREWS	2	117316
PLYWOOD INFILL	1 OR 2	116119

**EXTRAS FOR FIRE RATED:
INTUMESCENT (REPLACES 16m OF Q-LON)**

DESCRIPTION	QTY	CODE
20 x 2 MANN McGOWAN 500FPSA	8 lm	TO COLOUR
10 x 2 MANN McGOWAN 300SA	16 lm	112295

INFILLS:

DESCRIPTION	TO SUIT	CODE
67mm INFILL	10/12mm + 10/12mm GLASS	FG8302
62mm INFILL	10/12mm + 15/17mm GLASS	FG8303
57mm INFILL	15/17mm + 15/17mm GLASS	FG8304
55mm INFILL	15/17mm + 19/22mm GLASS	FG8305
S.G ADAPTOR	10/12mm GLASS	FG8312



SAS International
31 Suttons Business Park,
London Road, Reading,
Berkshire, RG6 1AZ
Tel: 0118 929 0900
Fax: 0118 929 0908
Technical Helpline:
0118 929 0998
www.sasint.co.uk

SYSTEM 8000

**FG8307 D.G DOOR FRAME
KIT COMPONENTS**

SCALE @ A4
1:2

DRG NO
PD/0379/L1

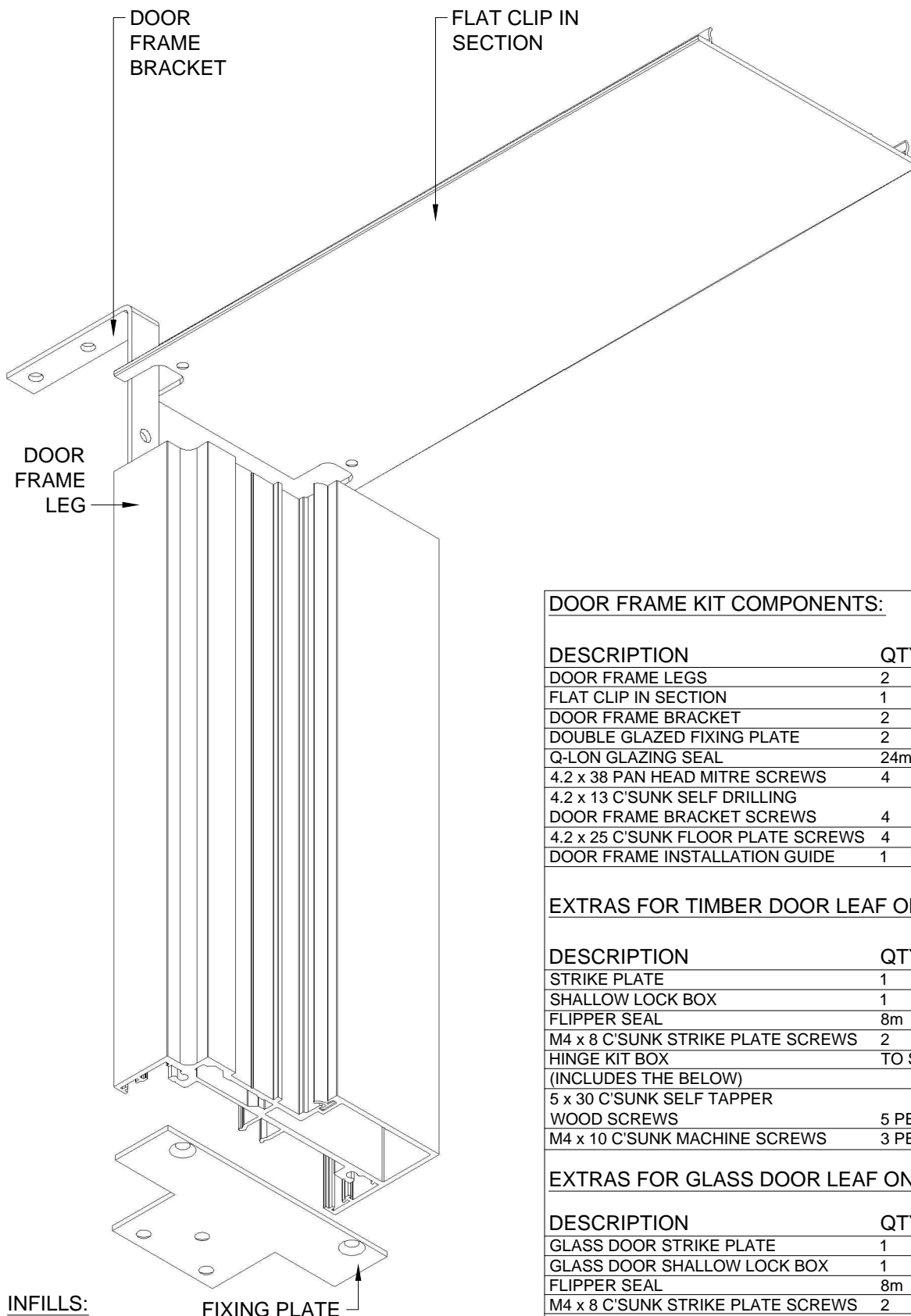
ISSUED
INFORMATION

DATE
29/03/2012

DRAWN BY
TC

REV
04

CHECKED
KYE



DOOR FRAME KIT COMPONENTS:

DESCRIPTION	QTY	CODE
DOOR FRAME LEGS	2	FG8307
FLAT CLIP IN SECTION	1	FG8311
DOOR FRAME BRACKET	2	141999
DOUBLE GLAZED FIXING PLATE	2	116114
Q-LON GLAZING SEAL	24m	112217
4.2 x 38 PAN HEAD MITRE SCREWS	4	116115
4.2 x 13 C'SUNK SELF DRILLING		
DOOR FRAME BRACKET SCREWS	4	142830
4.2 x 25 C'SUNK FLOOR PLATE SCREWS	4	35793
DOOR FRAME INSTALLATION GUIDE	1	

EXTRAS FOR TIMBER DOOR LEAF ONLY:

DESCRIPTION	QTY	CODE
STRIKE PLATE	1	116120
SHALLOW LOCK BOX	1	116121
FLIPPER SEAL	8m	32037
M4 x 8 C'SUNK STRIKE PLATE SCREWS	2	117316
HINGE KIT BOX	TO SUIT	11175
(INCLUDES THE BELOW)		
5 x 30 C'SUNK SELF TAPPER		
WOOD SCREWS	5 PER HINGE	35779
M4 x 10 C'SUNK MACHINE SCREWS	3 PER HINGE	12033

EXTRAS FOR GLASS DOOR LEAF ONLY:

DESCRIPTION	QTY	CODE
GLASS DOOR STRIKE PLATE	1	116924
GLASS DOOR SHALLOW LOCK BOX	1	118868
FLIPPER SEAL	8m	116117
M4 x 8 C'SUNK STRIKE PLATE SCREWS	2	117316
PLYWOOD INFILL	1 OR 2	116119

PLEASE NOTE THAT ALL DOUBLE DOOR CONFIGURATIONS WILL NOT NEED ANY STRIKE PLATES OR BACKBOX ACCESSORIES.

INFILLS:

FIXING PLATE

DESCRIPTION	TO SUIT	CODE
67mm INFILL	10/12mm + 10/12mm GLASS	FG8302
62mm INFILL	10/12mm + 15/17mm GLASS	FG8303
57mm INFILL	15/17mm + 15/17mm GLASS	FG8304
55mm INFILL	15/17mm + 19/22mm GLASS	FG8305
S.G ADAPTOR	10/12mm GLASS	FG8312



SAS International
31 Suttons Business Park,
London Road, Reading,
Berkshire, RG6 1AZ
Tel: 0118 929 0900
Fax: 0118 929 0908
Technical Helpline:
0118 929 0998
www.sasint.co.uk

SYSTEM 8000

FG8307R DOUBLE GLAZED DOOR FRAME
KIT COMPONENTS

SCALE @ A4

1:2

DRG NO

PD/0438/L1

ISSUED
INFORMATION

DATE

30/03/2012

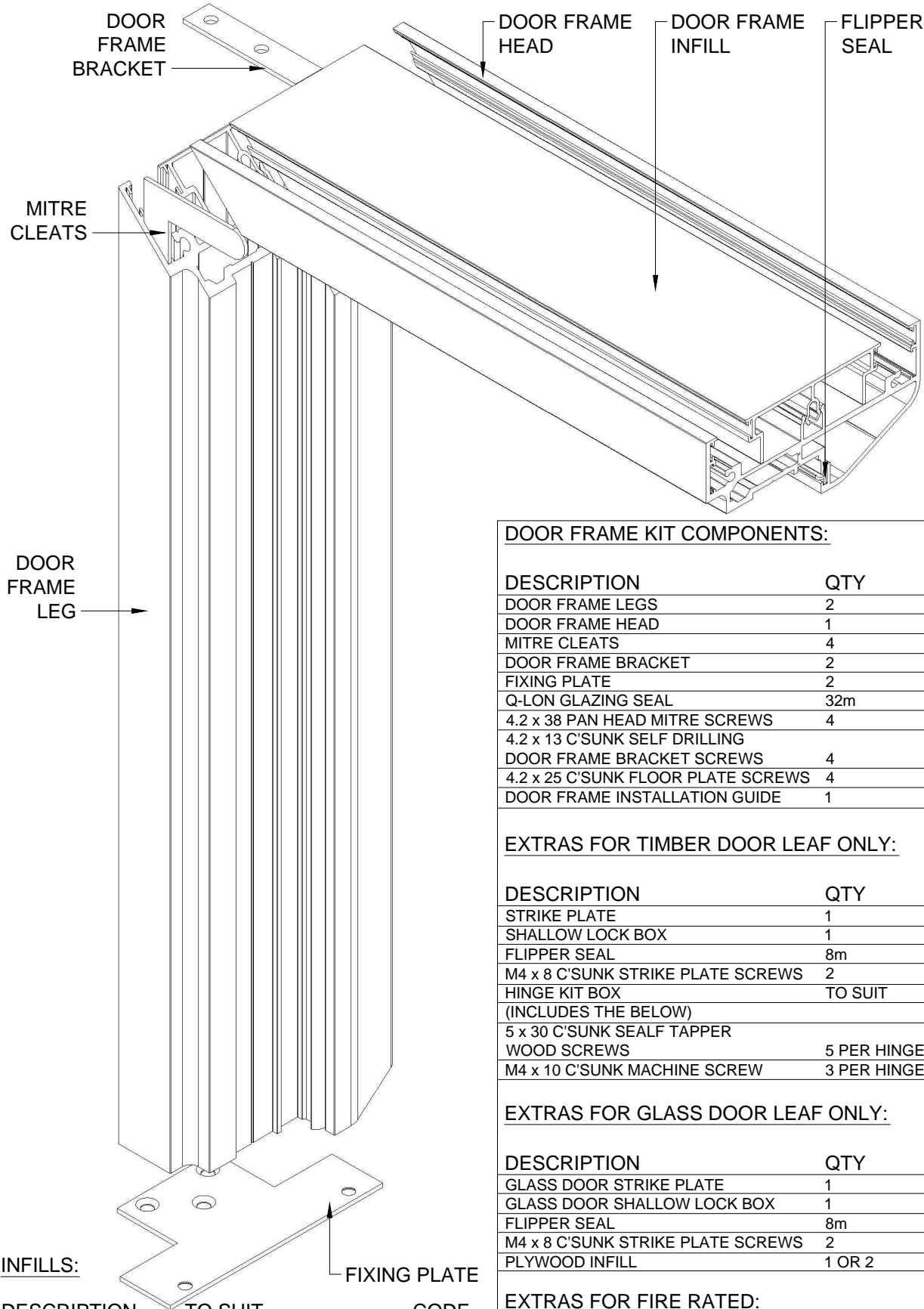
DRAWN BY

TC

REV

04

CHECKED
KYE



DOOR FRAME KIT COMPONENTS:

DESCRIPTION	QTY	CODE
DOOR FRAME LEGS	2	FG8308
DOOR FRAME HEAD	1	FG8308
MITRE CLEATS	4	35768
DOOR FRAME BRACKET	2	141999
FIXING PLATE	2	116114
Q-LON GLAZING SEAL	32m	112217
4.2 x 38 PAN HEAD MITRE SCREWS	4	116115
4.2 x 13 C'SUNK SELF DRILLING		
DOOR FRAME BRACKET SCREWS	4	142830
4.2 x 25 C'SUNK FLOOR PLATE SCREWS	4	35793
DOOR FRAME INSTALLATION GUIDE	1	

EXTRAS FOR TIMBER DOOR LEAF ONLY:

DESCRIPTION	QTY	CODE
STRIKE PLATE	1	116120
SHALLOW LOCK BOX	1	116121
FLIPPER SEAL	8m	32037
M4 x 8 C'SUNK STRIKE PLATE SCREWS	2	117316
HINGE KIT BOX	TO SUIT	11175
(INCLUDES THE BELOW)		
5 x 30 C'SUNK SEALF TAPPER		
WOOD SCREWS	5 PER HINGE	35779
M4 x 10 C'SUNK MACHINE SCREW	3 PER HINGE	12033

EXTRAS FOR GLASS DOOR LEAF ONLY:

DESCRIPTION	QTY	CODE
GLASS DOOR STRIKE PLATE	1	116924
GLASS DOOR SHALLOW LOCK BOX	1	118868
FLIPPER SEAL	8m	116117
M4 x 8 C'SUNK STRIKE PLATE SCREWS	2	117316
PLYWOOD INFILL	1 OR 2	116119

**EXTRAS FOR FIRE RATED:
INTUMESCENT (REPLACES 16m OF Q-LON)**

DESCRIPTION	QTY	CODE
20 x 2 MANN McGOWAN 500FPSA	8 lm	TO COLOUR
10 x 2 MANN McGOWAN 300SA	16 lm	112295

INFILLS:

DESCRIPTION	TO SUIT	CODE
67mm INFILL	10/12mm + 10/12mm GLASS	FG8302
62mm INFILL	10/12mm + 15/17mm GLASS	FG8303
57mm INFILL	15/17mm + 15/17mm GLASS	FG8304
55mm INFILL	15/17mm + 19/22mm GLASS	FG8305
S.G ADAPTOR	10/12mm GLASS	FG8312



SAS International
31 Suttons Business Park,
London Road, Reading,
Berkshire, RG6 1AZ
Tel: 0118 929 0900
Fax: 0118 929 0908
Technical Helpline:
0118 929 0998
www.sasint.co.uk

SYSTEM 8000

FG8308 D.G DOOR FRAME
KIT COMPONENTS

SCALE @ A4
1:2

DRG NO
PD/0432/L1

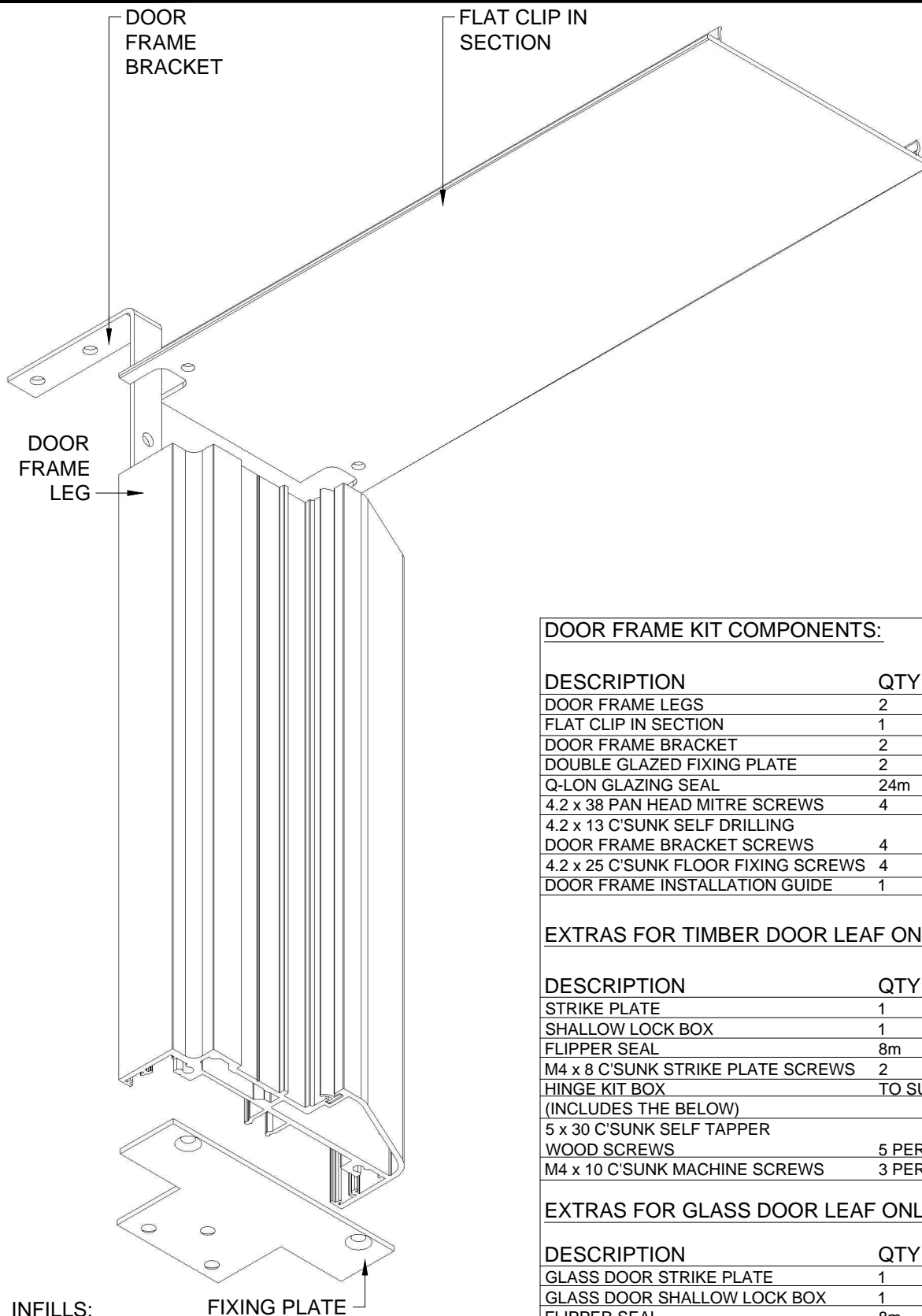
ISSUED
INFORMATION

DATE
29/03/2012

DRAWN BY
TC

REV
04

CHECKED
KYE



DOOR FRAME KIT COMPONENTS:

DESCRIPTION	QTY	CODE
DOOR FRAME LEGS	2	FG8308
FLAT CLIP IN SECTION	1	FG8311
DOOR FRAME BRACKET	2	141999
DOUBLE GLAZED FIXING PLATE	2	116114
Q-LON GLAZING SEAL	24m	112217
4.2 x 38 PAN HEAD MITRE SCREWS	4	116115
4.2 x 13 C'SUNK SELF DRILLING		
DOOR FRAME BRACKET SCREWS	4	142830
4.2 x 25 C'SUNK FLOOR FIXING SCREWS	4	35793
DOOR FRAME INSTALLATION GUIDE	1	

EXTRAS FOR TIMBER DOOR LEAF ONLY:

DESCRIPTION	QTY	CODE
STRIKE PLATE	1	116120
SHALLOW LOCK BOX	1	116121
FLIPPER SEAL	8m	32037
M4 x 8 C'SUNK STRIKE PLATE SCREWS	2	117316
HINGE KIT BOX	TO SUIT	11175
(INCLUDES THE BELOW)		
5 x 30 C'SUNK SELF TAPPER		
WOOD SCREWS	5 PER HINGE	35779
M4 x 10 C'SUNK MACHINE SCREWS	3 PER HINGE	12033

EXTRAS FOR GLASS DOOR LEAF ONLY:

DESCRIPTION	QTY	CODE
GLASS DOOR STRIKE PLATE	1	116924
GLASS DOOR SHALLOW LOCK BOX	1	118868
FLIPPER SEAL	8m	116117
M4 x 8 C'SUNK STRIKE PLATE SCREWS	2	117316
PLYWOOD INFILL	1 OR 2	116119

PLEASE NOTE THAT ALL DOUBLE DOOR CONFIGURATIONS WILL NOT NEED ANY STRIKE PLATES OR BACKBOX ACCESSORIES.

INFILLS:

DESCRIPTION	TO SUIT	CODE
67mm INFILL	10/12mm + 10/12mm GLASS	FG8302
62mm INFILL	10/12mm + 15/17mm GLASS	FG8303
57mm INFILL	15/17mm + 15/17mm GLASS	FG8304
55mm INFILL	15/17mm + 19/22mm GLASS	FG8305
S.G ADAPTOR	10/12mm GLASS	FG8312

FIXING PLATE



SAS International
31 Suttons Business Park,
London Road, Reading,
Berkshire, RG6 1AZ
Tel: 0118 929 0900
Fax: 0118 929 0908
Technical Helpline:
0118 929 0998
www.sasint.co.uk

SYSTEM 8000

**FG8308R DOUBLE GLAZED DOOR FRAME
KIT COMPONENTS**

SCALE @ A4

1:2

DRG NO

PD/0439/L1

ISSUED
INFORMATION

DATE

30/03/2012

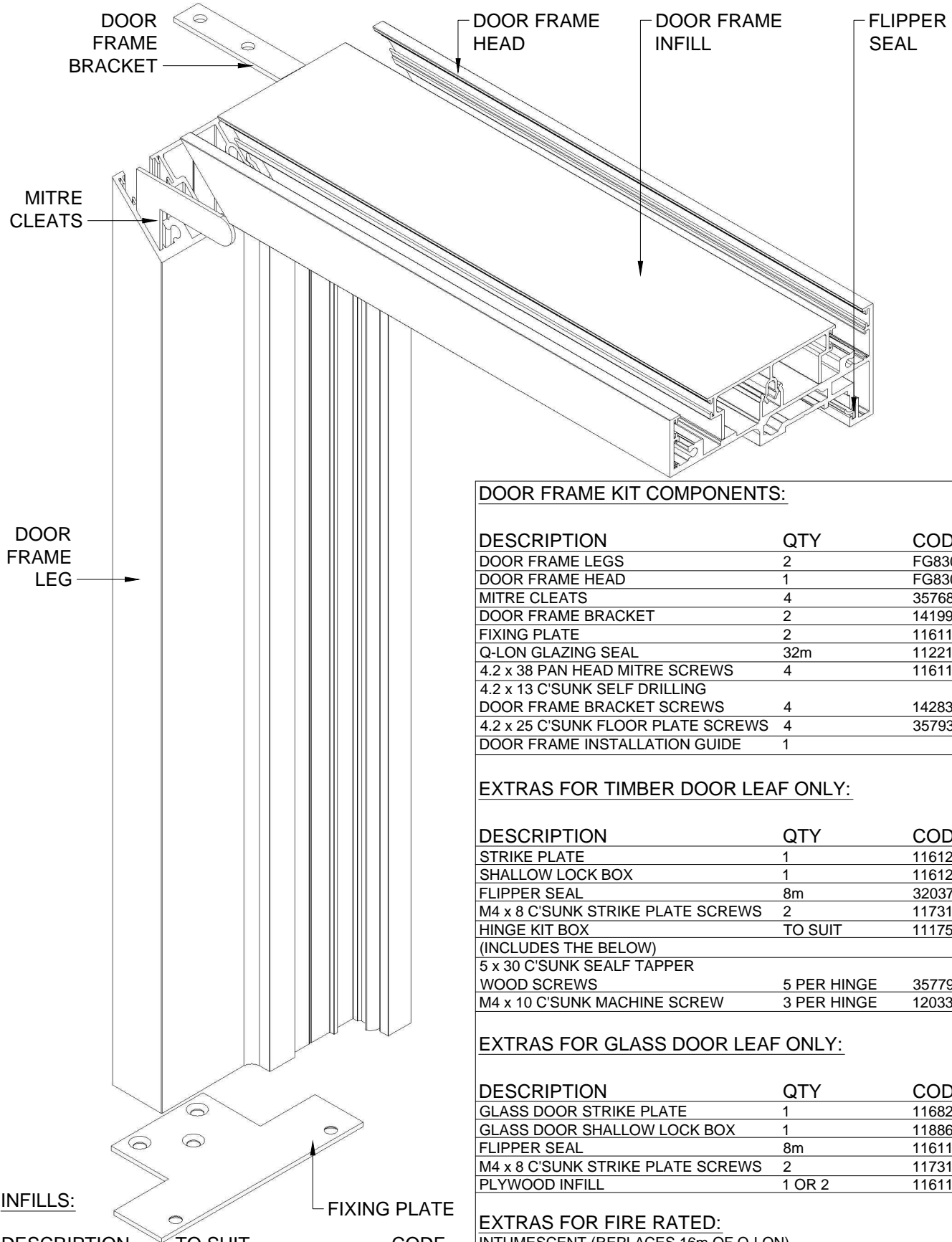
DRAWN BY

TC

REV

04

CHECKED
KYE



DOOR FRAME KIT COMPONENTS:

DESCRIPTION	QTY	CODE
DOOR FRAME LEGS	2	FG8309
DOOR FRAME HEAD	1	FG8309
MITRE CLEATS	4	35768
DOOR FRAME BRACKET	2	141999
FIXING PLATE	2	116114
Q-LON GLAZING SEAL	32m	112217
4.2 x 38 PAN HEAD MITRE SCREWS	4	116115
4.2 x 13 C'SUNK SELF DRILLING		
DOOR FRAME BRACKET SCREWS	4	142830
4.2 x 25 C'SUNK FLOOR PLATE SCREWS	4	35793
DOOR FRAME INSTALLATION GUIDE	1	

EXTRAS FOR TIMBER DOOR LEAF ONLY:

DESCRIPTION	QTY	CODE
STRIKE PLATE	1	116120
SHALLOW LOCK BOX	1	116121
FLIPPER SEAL	8m	32037
M4 x 8 C'SUNK STRIKE PLATE SCREWS	2	117316
HINGE KIT BOX	TO SUIT	11175
(INCLUDES THE BELOW)		
5 x 30 C'SUNK SEALF TAPPER		
WOOD SCREWS	5 PER HINGE	35779
M4 x 10 C'SUNK MACHINE SCREW	3 PER HINGE	12033

EXTRAS FOR GLASS DOOR LEAF ONLY:

DESCRIPTION	QTY	CODE
GLASS DOOR STRIKE PLATE	1	116824
GLASS DOOR SHALLOW LOCK BOX	1	118868
FLIPPER SEAL	8m	116117
M4 x 8 C'SUNK STRIKE PLATE SCREWS	2	117316
PLYWOOD INFILL	1 OR 2	116119

EXTRAS FOR FIRE RATED:

INTUMESCENT (REPLACES 16m OF Q-LON)

DESCRIPTION	QTY	CODE
20 x 2 MANN McGOWAN 500FPSA	8 lm	TO COLOUR
10 x 2 MANN McGOWAN 300SA	16 lm	112295

INFILLS:

DESCRIPTION	TO SUIT	CODE
67mm INFILL	10/12mm + 10/12mm GLASS	FG8302
62mm INFILL	10/12mm + 15/17mm GLASS	FG8303
57mm INFILL	15/17mm + 15/17mm GLASS	FG8304
55mm INFILL	15/17mm + 19/22mm GLASS	FG8305
S.G ADAPTOR	10/12mm GLASS	FG8312



SAS International
31 Suttons Business Park,
London Road, Reading,
Berkshire, RG6 1AZ
Tel: 0118 929 0900
Fax: 0118 929 0908
Technical Helpline:
0118 929 0998
www.sasintl.co.uk

SYSTEM 8000

**FG8309 D.G DOOR FRAME
KIT COMPONENTS**

SCALE @ A4

1:2

DRG NO

PD/0433/L1

ISSUED

INFORMATION

DATE

29/03/2012

DRAWN BY

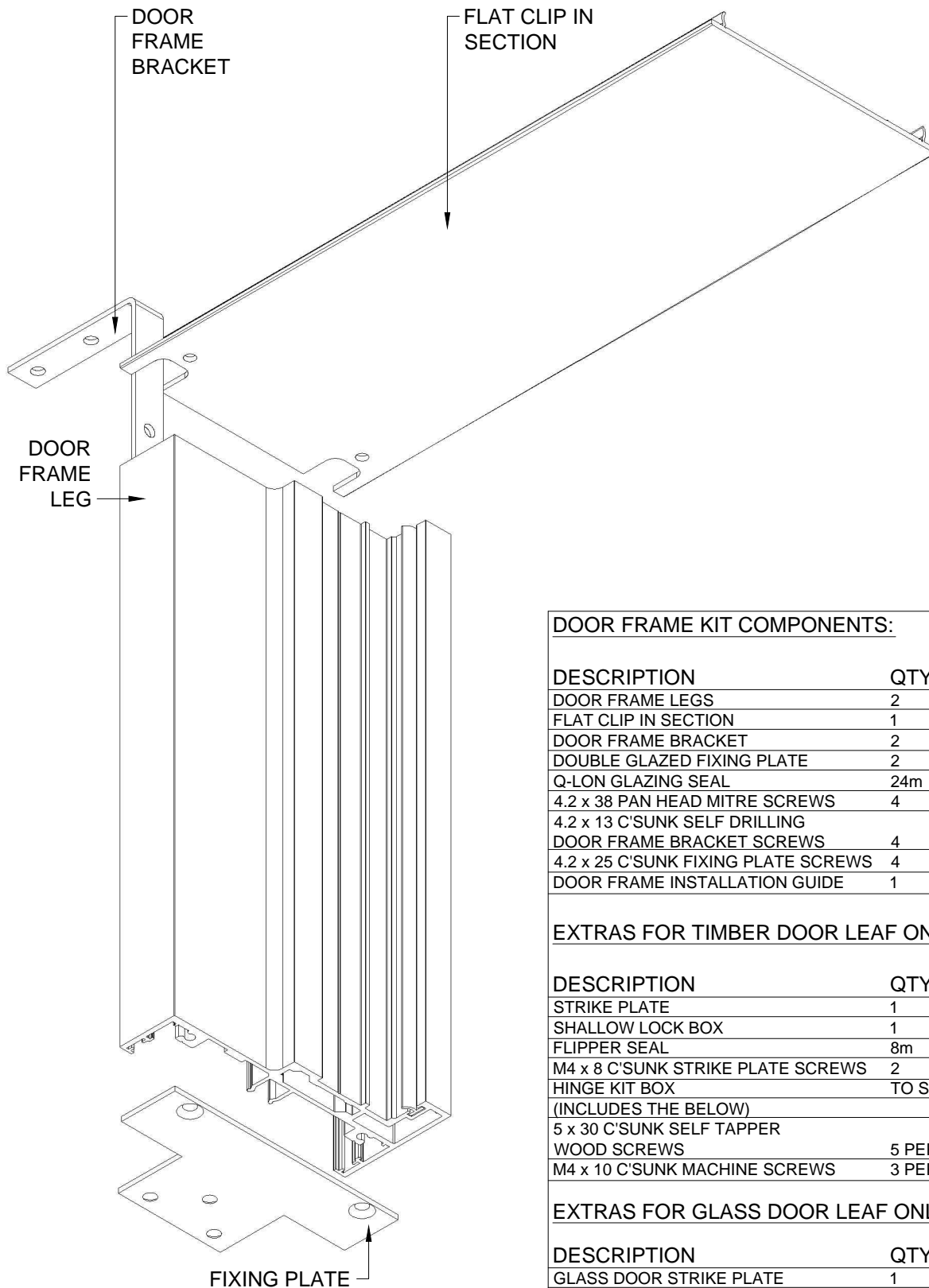
TC

REV

04

CHECKED

KYE



DOOR FRAME KIT COMPONENTS:

DESCRIPTION	QTY	CODE
DOOR FRAME LEGS	2	FG8309
FLAT CLIP IN SECTION	1	FG8311
DOOR FRAME BRACKET	2	141999
DOUBLE GLAZING FIXING PLATE	2	116114
Q-LON GLAZING SEAL	24m	112217
4.2 x 38 PAN HEAD MITRE SCREWS	4	116115
4.2 x 13 C'SUNK SELF DRILLING		
DOOR FRAME BRACKET SCREWS	4	142830
4.2 x 25 C'SUNK FIXING PLATE SCREWS	4	35793
DOOR FRAME INSTALLATION GUIDE	1	

EXTRAS FOR TIMBER DOOR LEAF ONLY:

DESCRIPTION	QTY	CODE
STRIKE PLATE	1	116120
SHALLOW LOCK BOX	1	116121
FLIPPER SEAL	8m	32037
M4 x 8 C'SUNK STRIKE PLATE SCREWS	2	117316
HINGE KIT BOX	TO SUIT	11175
(INCLUDES THE BELOW)		
5 x 30 C'SUNK SELF TAPPER		
WOOD SCREWS	5 PER HINGE	35779
M4 x 10 C'SUNK MACHINE SCREWS	3 PER HINGE	12033

EXTRAS FOR GLASS DOOR LEAF ONLY:

DESCRIPTION	QTY	CODE
GLASS DOOR STRIKE PLATE	1	116924
GLASS DOOR SHALLOW LOCK BOX	1	118868
FLIPPER SEAL	8m	116117
M4 x 8 C'SUNK STRIKE PLATE SCREWS	2	117316
PLYWOOD INFILL	1 OR 2	116119

PLEASE NOTE THAT ALL DOUBLE DOOR CONFIGURATIONS WILL NOT NEED ANY STRIKE PLATES OR BACKBOX ACCESSORIES.

INFILLS:

DESCRIPTION	TO SUIT	CODE
67mm INFILL	10/12mm + 10/12mm GLASS	FG8302
62mm INFILL	10/12mm + 15/17mm GLASS	FG8303
57mm INFILL	15/17mm + 15/17mm GLASS	FG8304
55mm INFILL	15/17mm + 19/22mm GLASS	FG8305
S.G ADAPTOR	10/12mm GLASS	FG8312



SAS International
31 Suttons Business Park,
London Road, Reading,
Berkshire, RG6 1AZ
Tel: 0118 929 0900
Fax: 0118 929 0908
Technical Helpline:
0118 929 0998
www.sasint.co.uk

SYSTEM 8000

**FG8309R DOUBLE GLAZED DOOR FRAME
KIT COMPONENTS**

SCALE @ A4

1:2

DRG NO

PD/0440/L1

ISSUED

INFORMATION

DATE

30/03/2012

DRAWN BY

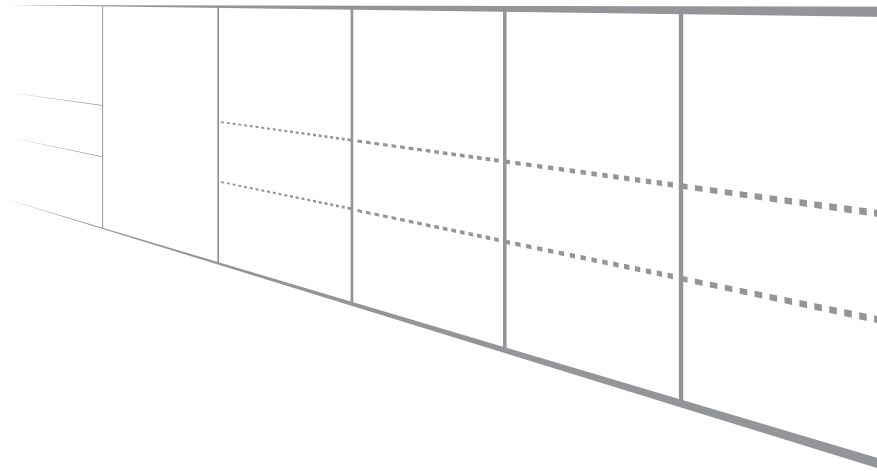
TC

REV

04

CHECKED

KYE



metal ceilings | partitioning | doors | room comfort | architectural metalwork

Head Office: SAS International, 31 Suttons Business Park, London Road, Reading RG6 1AZ, United Kingdom T: +44 (0)118 929 0900
For details of our offices worldwide please visit www.sasintgroup.com or email enquiries@sasintgroup.com

All information and details in this brochure are correct at the time of going to press. E&OE. Published by SAS International. Copyright © 2012.